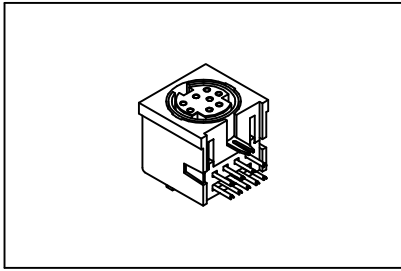


4005 Series

Mini Din Jack Right Angle P.C.B Mount Type

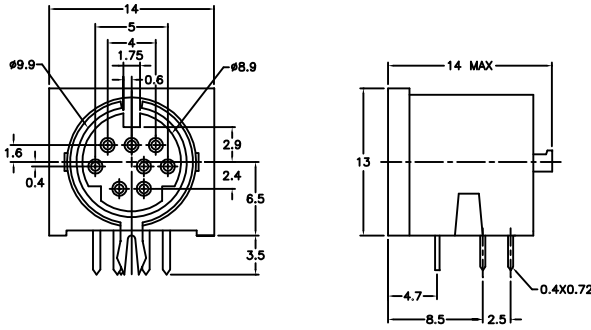


Material:

Housing: 15% Glass filled PBT UL94V-0.
 Contacts: Phosphor Bronze, selective gold Plated.
 Center Gnd: Brass, Nickel Plated.

Electrical Characteristics:

Contact Resistance: 30mΩmax.
 Insulation Resistance: 100MΩAT 500V DC.
 Rating: DC 12V, 1.0A max.
 Dielectric Withstanding Voltage: 500V AC(RMS) applied between adjacent open terminals for 1 minute without breakdown.
 Operating Temperature: -55°C ~ +105°C.
 Insertion Force: 0.5~4.5Kg.
 Withdrawal Force: 0.4~3.5Kg.
 Durability Test: 5000 mating cycles min.



No. of Contact	3P	4P	5P	6P	7P	8P
Position						
Hole Layout (Bottom View)						
Part No.	4005-3	4005-4	4005-5	4005-6	4005-7	4005-8

Ordering information

4005- 8
 Series Position 3, 4, 5, 6, 7, 8